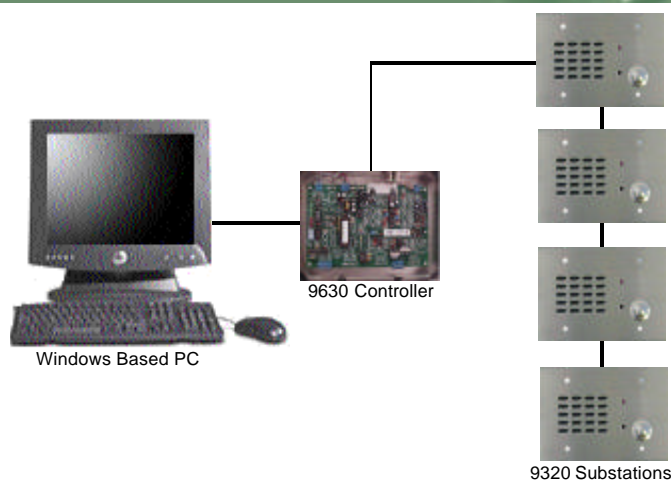


9300 Intercom System

System Features

- Up to 95 substations and one master
- The audio is simplex controlled by the master
- Connections to master by RS422 data and 600 ohm audio
- All Call page available see notes
- Line error reporting
- Optional tone test to the substations w/ PC based systems
- Optional Call logging with Windows program available
- Substations have electret microphone for high quality audio
- Up to 2000 ft end-to-end without line extenders (see notes)



Functional Description

The 9300 intercom system is designed for multi-drop installations. The system is made up of 9320 intercom substations, a 9360 controller and a single master. The master can be either a 9453 display station or any Windows based PC with a sound card. The connections between the 9360 and the 9320 substations are a multi-drop configuration using CAT 5 cable. This cable carries data, power and audio to the substations.

Functions of 9360 Controller

- Control up to 95 substations
- LED indicators for data traffic
- RS485 serial port for substations
- RS422 serial port for masters
- Provide audio control to substations
- Built in 10 watt amplifier (see notes)
- Provides audio processing in system
- Provides calling tones to substations
- Audio to master is four-wire 600 ohm

Functions of 9320 Substations

- Two rotary switches to set its address
- LED for call status indication
- Electret microphone
- Three watt speaker
- Optional solid state relay for output control
- Call waiting tone

Notes:

1. Systems beyond 32 substations require either RS485 hubs or line extenders
2. Tone test is an option not included in standard software
3. Call logging is an option, not included in standard software
4. Optional relay output on the substation available on special request
5. Optional 24 watt All Call amplifier for larger systems available
6. System requires 24 VDC at 1.5 amp

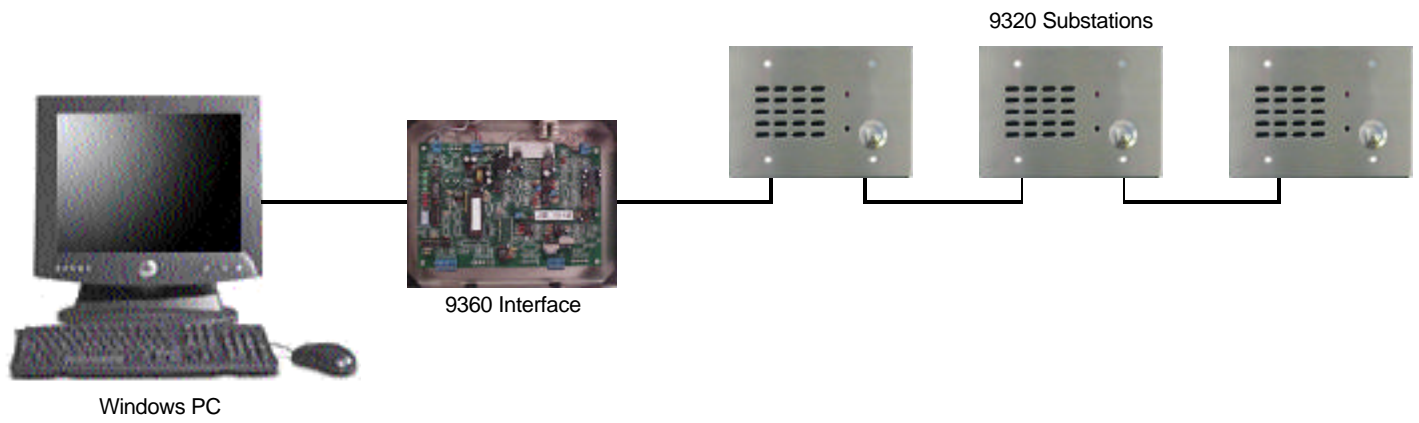
Functions of PC Based Master

- Answer and clear call in any sequence
- Call connect display
- Display of all waiting call requests
- Control of speech direction
- Set audio level into PC
- Edit text associated with each substation
- Display line error messages
- Display results of optional tone test
- Display of optional call logging

Functions of 9453 Display Station

- LCD display for 12 characters of text per substation
- Standard keyboard for normal calling
- Answer next and scroll through queue buttons
- Audio volume up and down keys
- Queue up to 16 waiting call requests
- Text for LCD programmed within 9453
- Display line error messages

9300 with PC Based Master



9300 with 9453 Display Station

