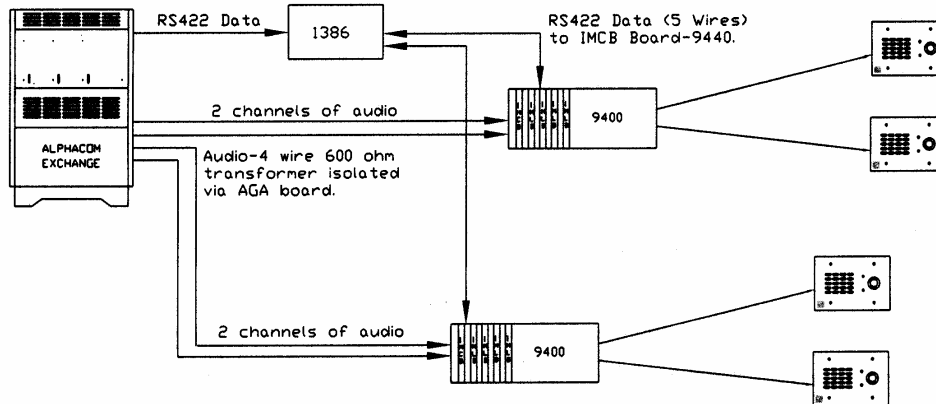


AlphaCom to 9400 Block Diagram



9400 intercom modules can be interfaced with an AlphaCom exchange to provide large amounts of substations or paging circuits in an economical manner. The exchange provides all the master to master functions in the normal manner while the 9400 modules can support any quantity of substations.

- *All AlphaCom functions can be supported between the master stations in the system.
- *Two audio channels are available between the AlphaCom exchange and each of the 9400 modules.
- *Any master can call any substation within the systems.
- *Calls from substations can be routed to any master or any group of masters.
- *9400 substations can be included in the paging from the AlphaCom exchange.
- *9400 modules can be distributed throughout the complex.
- *Audio connections are 600 ohms to AGA ports in the AlphaCom Exchange.
- *Data is RS422 between the various components of the system.
- *Can be interfaced with a CCTV system.
- *Can be interfaced with an access control system.