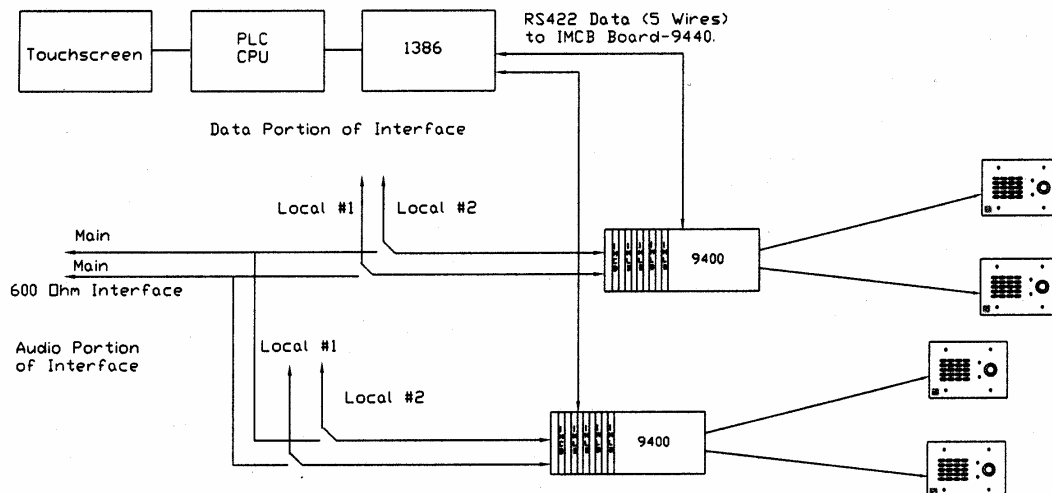


PLC to 9400



9400 intercom modules can be interfaced to PLC systems computer to provide intercom functions. The modules are building block units that support the required paging functions with only 600 ohm audio and RS422 data connections. This approach allows using standard components designed specifically for intercom with a general purpose PLC computer to provide communications in a facility.

- *All modules use standard components no matter the subs in an area.
- *The PLC can control intercom functions via data commands.
- *The module will send data to the PLC for call request and other intercom functions.
- *There are two audio channels to each module. One can be used locally while the other can be reserved for main control.
- *The modules can be distributed throughout the facility for ease of installation.
- *Substations can be 45 ohm or 25V types. These can be mixed where desired.
- *Paging can be added to the module so that only data and audio is required to start a paging function.
- *Local component failures can be reported to the PLC via data.
- *A master station can be designed as needed using 600 ohm audio interface board.
- *A PC can be used for the data and audio as long as the PC has a program that supports the data protocol.
- *The system used data protocol very similar to the one used with the 9600.