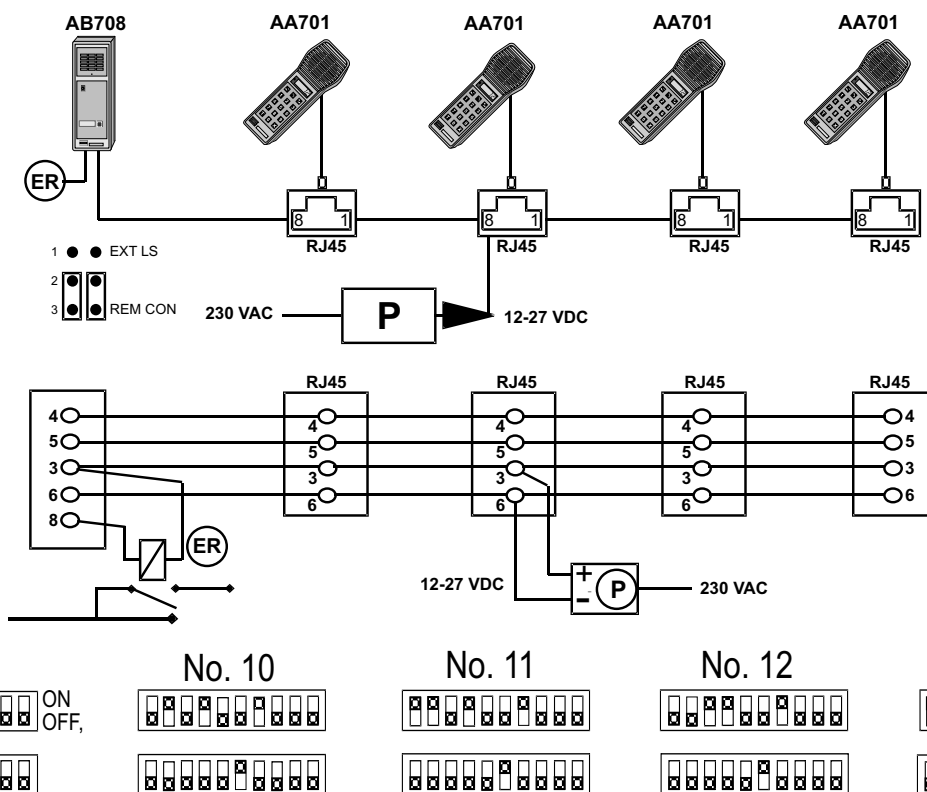


# Configuration sheet

## ENTRANCE CONTROL One door-station is calling



The one button station AB708 is located outside the door.  
 An external relay must be connected to AB708.  
 The potential free contact of the external relay is connected to the door lock.  
 The straps inside AB708 must be inserted into the "REM CON" position.  
 Four stations AA701 stations are located inside the building.  
 All AA701 stations can call each other and the door station AB708, by dialling the call number.

- ER: Door lock operated via the potential free relay contact of the external (ER) relay.
- P: Power supply. Should be located as close to the centre of the installation as possible.

Door station no. 30 is making a call to 10,11,12,and 13 inside the building by pressing the call button.  
 The ringing signal for doorbell no.1 will sound in the loudspeaker of stations 10, 11, 12 and 13  
 Station 10, 11, 12 and 13 can open the door by operating the built-in relay in the door station no. 30. (Pushing the "5" button).  
 The closing contact of the external relay at no. 30 is controlling the door lock.  
 No. 30 is programmed for unlimited call time.  
 The door bell active time (waiting for answer before automatic cancelling) is 2 minutes.