



## User Guide for GS400 Intercom System

This document is for users of the GS400 Intercom System. The GS400 system consists of a GS410 master station and substation. The substation can be a variety of stations but for this explanation they will operate the same. Please refer to the wiring hook-up diagram that is included with your shipment.

### **Features of GS-400 Master:**

- Desk mount with the option for wall mounting
- PTT button on faceplate controls talk path
- Adjustable volume control on faceplate for incoming audio
- On/Off switch to apply power to the intercom system
- Loudspeaker on faceplate
- Electret microphone on faceplate
- Connection on back of unit for optional headset (model GS412)
- Toggle switch on back of unit for setting of headset or faceplate operation

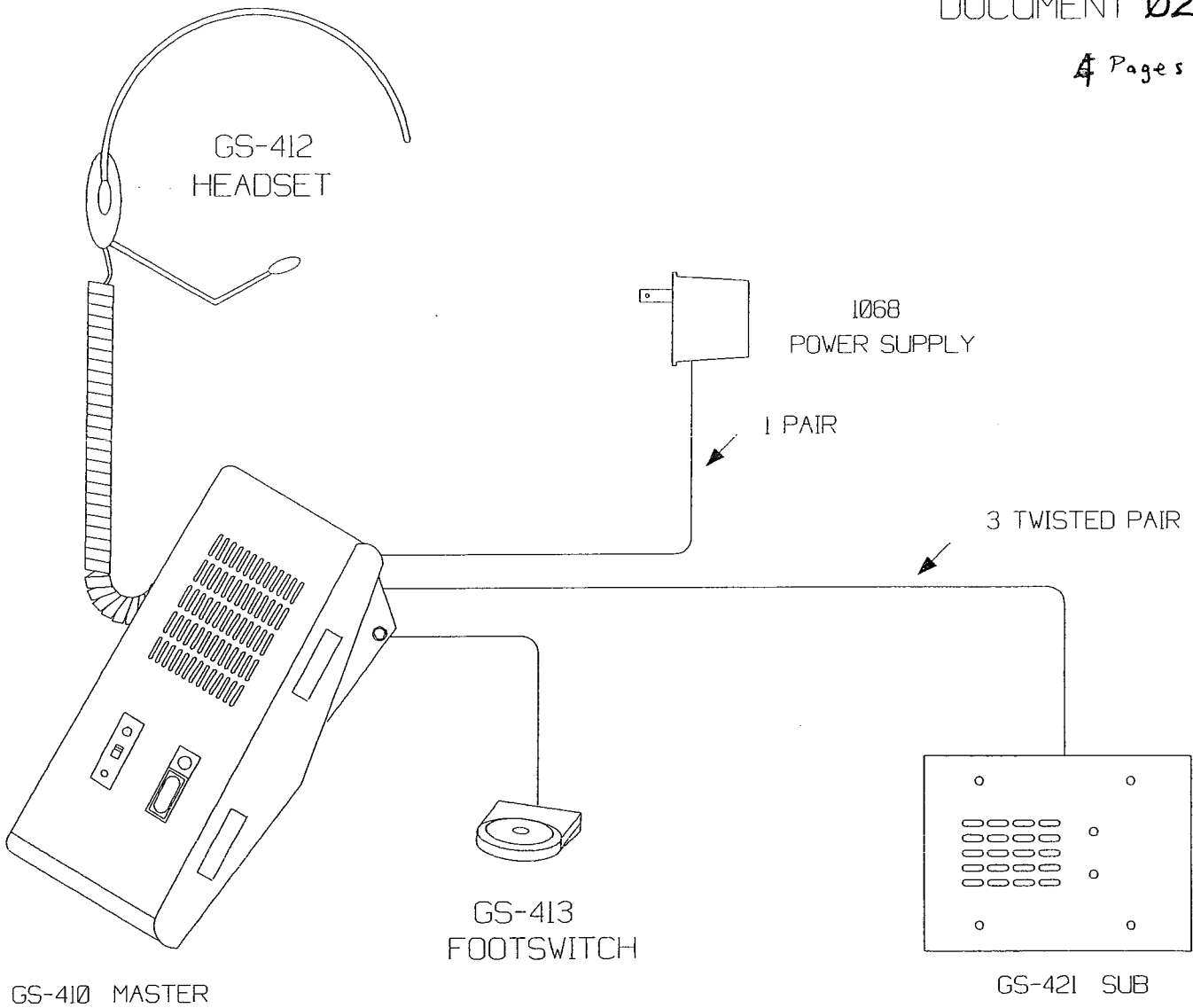
### **Description of System:**

The GS400 Intercom System is a simplex system meaning it's hands-free at the substation while the master station requires pushing a button to speak to the substation. You turn on the GS400 by using the On/Off button on the front of the master station. The Red LED should light to indicate power to the intercom system. At this time you should hear audio coming from your substation. If you wish to speak to the substation you simply push and hold the PTT button located on the faceplate while you speak. When finished speaking, release the PTT button and it will go back to monitoring the audio at the substation.

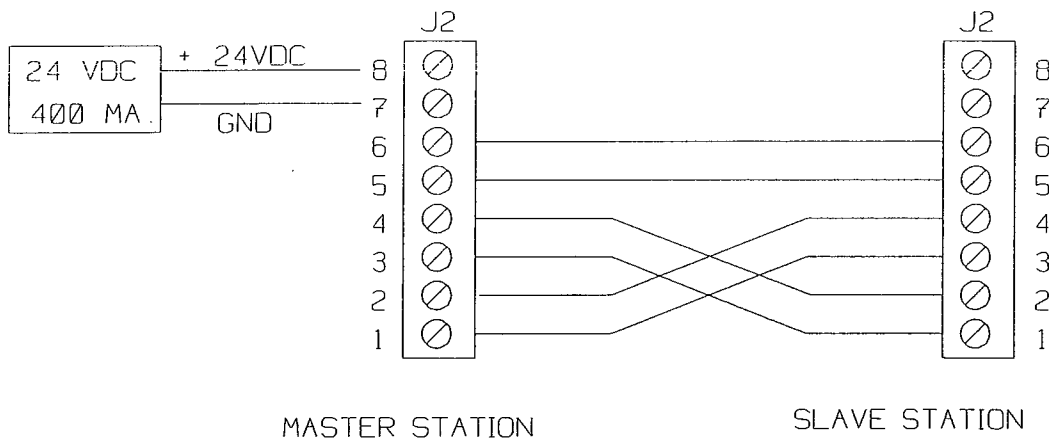
You may select the headset option by setting the toggle switch on the back of the GS410 master station. All audio will be sent to the headset. You cannot have the audio go to both the headset and faceplate at the same time. If you are using the headset you still control your audio going to the substation by using the PTT button on the faceplate. You can use the optional footswitch to control the talk path by simply pressing it down and holding while you speak and releasing when finished. The PTT button on the faceplate and the optional footswitch serve the same purpose and either can be used to control the talk path.

The substations that are used consist of an electronics board strapped as a substation, loudspeaker and electret microphone. The substation will always be hands-free which means the user simply has to speak and the master receives the audio.

If required there is an optional call-in kit (model A402). This can be used with a substation equipped with a push button to alert the master that the substation would like assistance. This kit alerts a beeper located inside the GS410 Master which tells the master to turn on power to the intercom.



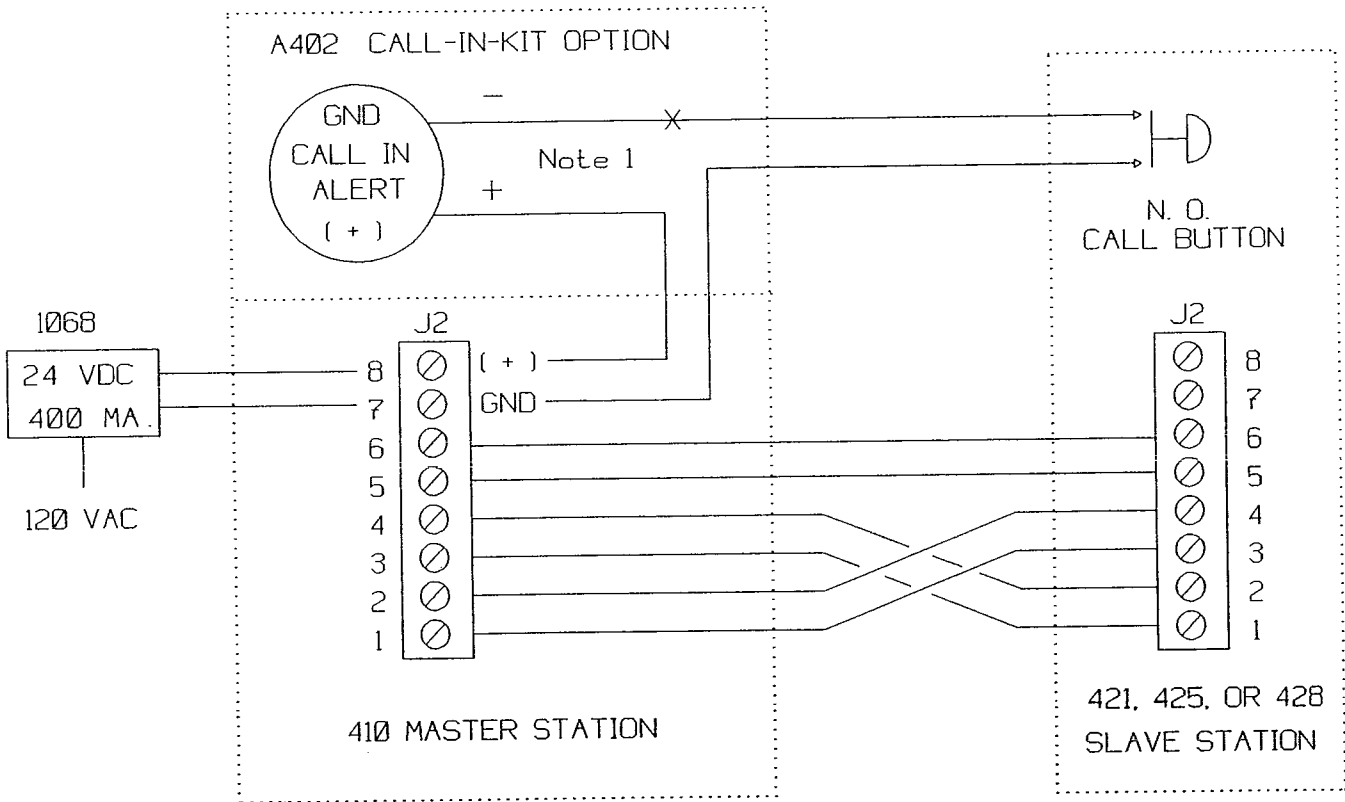
STENTOFON COMMUNICATIONS, INC. 6119 CONNECTICUT AVE KANSAS CITY, MISSOURI 64120		
GS-400 TYPICAL		
DRAWN BY LWS	DWG NAME GS400T1	DATE 1-94



ALL PAIRS SHOULD BE INDIVIDUALLY TWISTED PAIRS.  
SHIELDING OF THESE PAIRS IS RECOMMENDED IN ELEVATOR  
CABELS.

STENTOFON COMMUNICATIONS, INC. 6119 CONNECTICUT AVE KANSAS CITY, MISSOURI 64120		
GS-400		
Typical wiring		
DRAWN BY LWS	DWG NAME GS401	DATE 7-94





NOTE 1:

The Call-in audible sounder wires as shown.  
 The white with orange wire is plus 24 VDC.  
 The white with blue wire is common.

The A402 call-in kit consists of an audible device that can be mounted in the GS-410 master using the adhesive backed foam tape on the unit. This device should be attached to the inside of the housing on the left side in the back of the master just in front of the RJ-4 headset jack.

ALL PAIRS SHOULD BE INDIVIDUALLY TWISTED PAIRS.

STENTOFON COMMUNICATIONS, INC. 6119 CONNECTICUT AVE KANSAS CITY, MISSOURI 64120		
GS-400 Typical wiring		
DRAWN BY LWS	ENG NAME GS400c	DATE 7-94