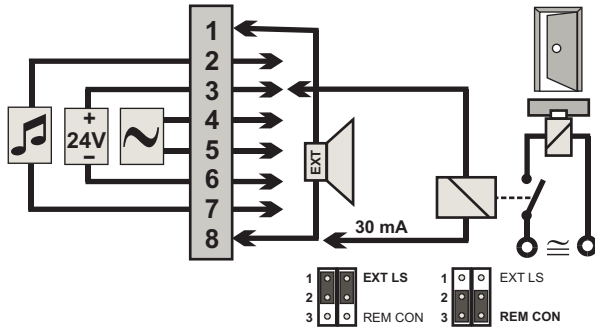


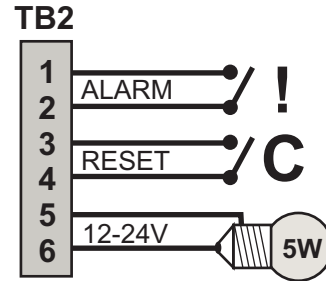
Line Connection

AA702 - AA708 - AA709



External Connections

AA703 - AA704 - AA705
BC735 - AB731, A, F, AF



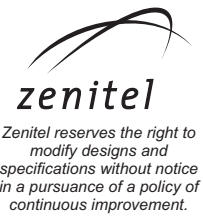
Number Programming

AA702 - AA703 - AA704 - AA705 - AA711

Switch Package U2

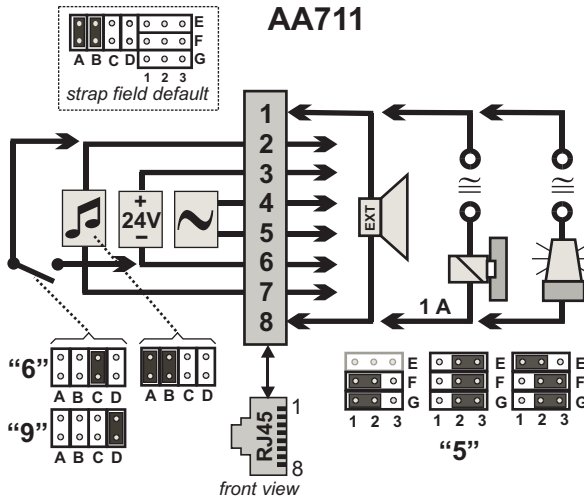
ON OFF	STATION NUMBERS						GROUP CALL			
	1	2	3	4	5	6	7	8	9	10
10	OFF	ON	OFF	ON	OFF	OFF	Priority Station	All Call	Group Call 1	Group Call 2
11	ON	ON	OFF	ON	OFF	OFF				
12	OFF	OFF	ON	ON	OFF	OFF				
13	ON	OFF	ON	ON	OFF	OFF				
14	OFF	ON	ON	ON	OFF	OFF				
15	ON	ON	ON	ON	OFF	OFF				
16	OFF	OFF	OFF	OFF	ON	OFF				
17	ON	OFF	OFF	OFF	ON	OFF				
18	OFF	ON	OFF	OFF	ON	OFF				
19	ON	ON	OFF	OFF	ON	OFF				
20	OFF	OFF	ON	OFF	ON	OFF	Priority Station	All Call	Group Call 1	Group Call 2
21	ON	OFF	ON	OFF	ON	OFF				
22	OFF	ON	ON	OFF	ON	OFF				
23	ON	ON	ON	OFF	ON	OFF				
24	OFF	OFF	OFF	ON	ON	OFF				
25	ON	OFF	OFF	ON	ON	OFF				
26	OFF	ON	OFF	ON	ON	OFF				
27	ON	ON	OFF	ON	ON	OFF				
28	OFF	OFF	ON	ON	ON	OFF				
29	ON	OFF	ON	ON	ON	OFF				
30	OFF	ON	ON	ON	ON	OFF	Priority Station	All Call	Group Call 1	Group Call 2
31	ON	ON	ON	ON	ON	OFF				
32	OFF	OFF	OFF	OFF	OFF	ON				
33	ON	OFF	OFF	OFF	OFF	ON				
34	OFF	ON	OFF	OFF	OFF	ON				
35	ON	ON	OFF	OFF	OFF	ON				
36	OFF	OFF	ON	OFF	OFF	ON				
37	ON	OFF	ON	OFF	OFF	ON				
38	OFF	ON	ON	OFF	OFF	ON				
39	ON	ON	ON	OFF	OFF	ON				
40	OFF	OFF	OFF	ON	OFF	ON	Priority Station	All Call	Group Call 1	Group Call 2
41	ON	OFF	OFF	ON	OFF	ON				
42	OFF	ON	OFF	ON	OFF	ON				
43	ON	ON	OFF	ON	OFF	ON				
44	OFF	OFF	ON	ON	OFF	ON				
45	ON	OFF	ON	ON	OFF	ON				
46	OFF	ON	ON	ON	OFF	ON				
47	ON	ON	ON	ON	OFF	ON				
48	OFF	OFF	OFF	OFF	ON	ON				
49	ON	OFF	OFF	OFF	ON	ON				

Pro700™



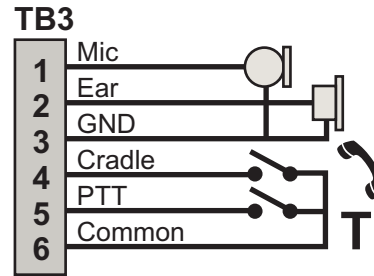
Zenitel reserves the right to modify designs and specifications without notice in a pursuance of a policy of continuous improvement.

AA711

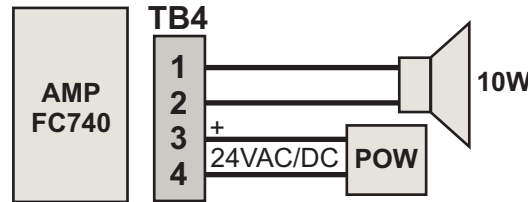


AA703 - AA704 - AA705
BC735 - AB731, A, F, AF

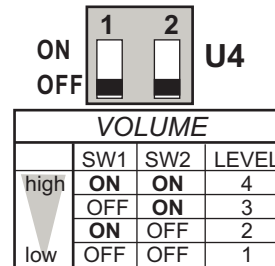
AA703 - AA704 - AA705 - BC735



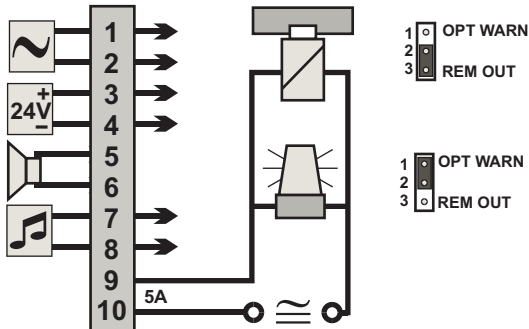
AA703 - AA704 - AA705 - BC735



AA703 - AA704 - AA705 - BC735
AB731, A, F, AF



TB1



Application and Feature Programming

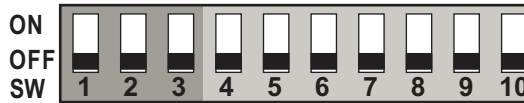
MASTER STATIONS

SUBSTATIONS

Switch Package U3

STANDARD STATION

SW	FUNCTION	ON	OFF
4	Call time	30 sec.	∞
5	Always Privacy	Yes	No
6	Receive Doorbell call #1	Yes	No
7	Receive Doorbell call #2	Yes	No
8	Tone for refused Silent Alarm call in queue	Yes	No
9	Silent Alarm on key 6 Last no. redial on key 6	Yes No	No Yes
10	Receive Silent Alarm	No	Yes



STATION APPLICATION

SW1	SW2	SW3	FUNCTION
OFF	OFF	OFF	Standard Station
ON	OFF	OFF	Direct Dial 3-key Station
OFF	ON	OFF	Direct Dial 10-key Station
ON	ON	OFF	Doorbell Station
OFF	OFF	ON	
ON	OFF	ON	
OFF	ON	ON	CAS Call-in Station
ON	ON	ON	CAS Operator Station

DIRECT DIAL 3-KEY STATION

SW	FUNCTION	ON	OFF
4	Call time	30 sec.	∞
5	Always Privacy	Yes	No
6			
7			
8	Emergency Call on key 9	Yes	No
9			
10			

DIRECT DIAL 10-KEY STATION

SW	FUNCTION	ON	OFF
4	Call time	30 sec.	∞
5	Always Privacy	Yes	No
6			
7			
8	Emergency Call on key 9	Yes	No
9	Dir. Dial Number Range		
10	Dir. Dial Number Range		

DOORBELL STATION

SW	FUNCTION	ON	OFF
4	Call time	30 sec.	∞
5	Doorbell no. on key 6	2	1
6	Doorbell tone on key 6	5 sec.	Single*
7	Doorbell no. on key 9	2	1
8	Doorbell tone on key 9	5 sec.	Single*
9	Doorbell active time	30 sec.	2 min.
10			

CAS OPERATOR STATION

SW	FUNCTION	ON	OFF
4	CAS Operator**	Master	Slave
5	T-key scrolls CAS queue	Yes	No
6	Receive Doorbell call #1	Yes	No
7	Receive Doorbell call #2	Yes	No
8	Alert tone when queue	3 sec.	Single
9	Silent Alarm on key 6 Last no. redial on key 6	Yes No	No Yes
10	Receive Silent Alarm	No	Yes

DIRECT DIAL NUMBER

SW9	SW10	KEY 0 - 9	KEY 0 - 8 [#]
OFF	OFF	10 - 19	10 - 18
ON	OFF	20 - 29	20 - 28
OFF	ON	30 - 39	30 - 38
ON	ON	40 - 49	40 - 48

[#] If SW8 is ON, Emergency Call on key 9

CAS CAL-IN STATION

SW	FUNCTION	ON	OFF
4			
5	CAS call activation delay	3sec.	No
6	Audio Monitoring	Yes	No
7	Key for CAS call	Key 0	Key 9
8	CAS acknowl. request tone	10 sec.	Single*
9			
10			

* Connected to Program Distribution Channel

** One must be Master, one or two may be Slave



Pro700™

ZENITEL NORWAY AS - www.zenitelcss.com